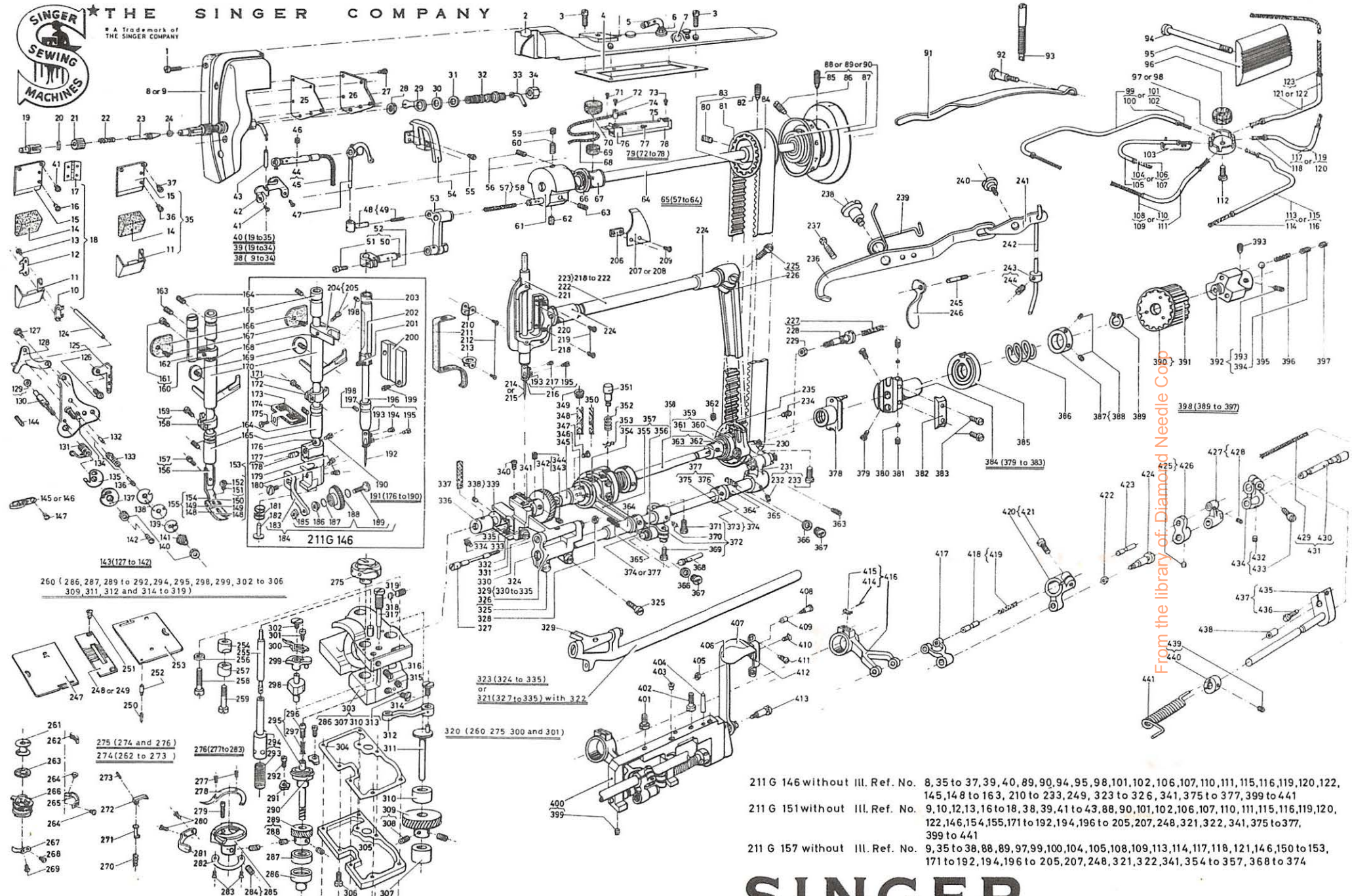




THE SINGER COMPANY

A Trademark of THE SINGER COMPANY

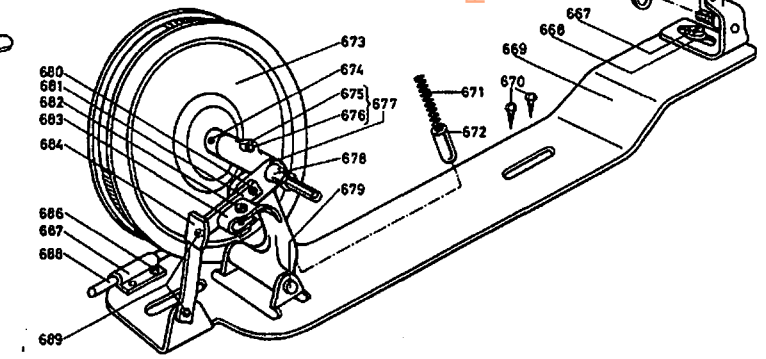
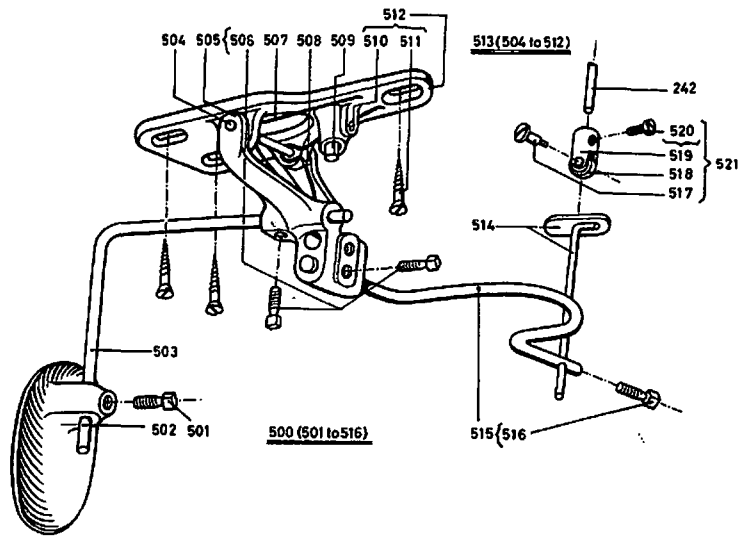
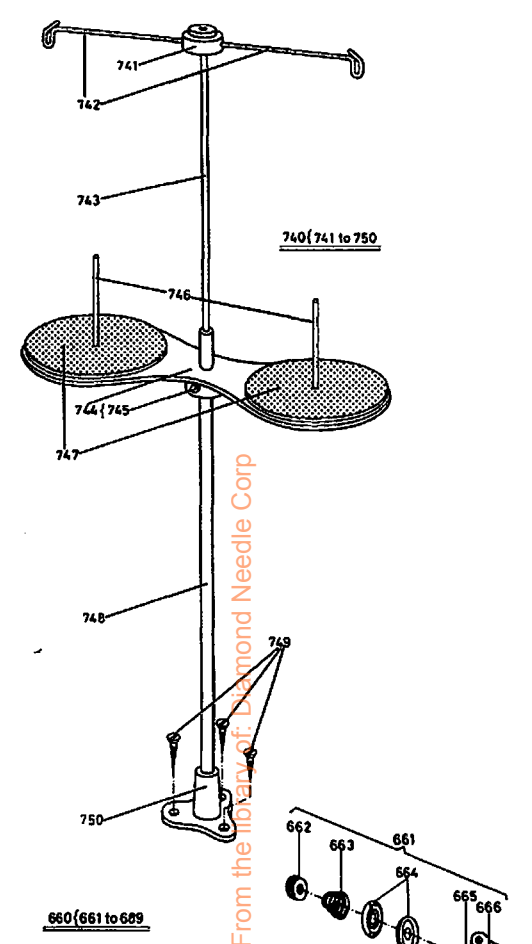
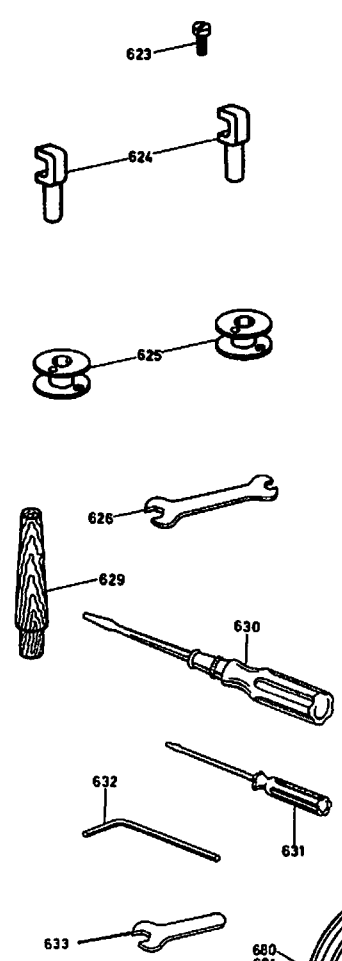
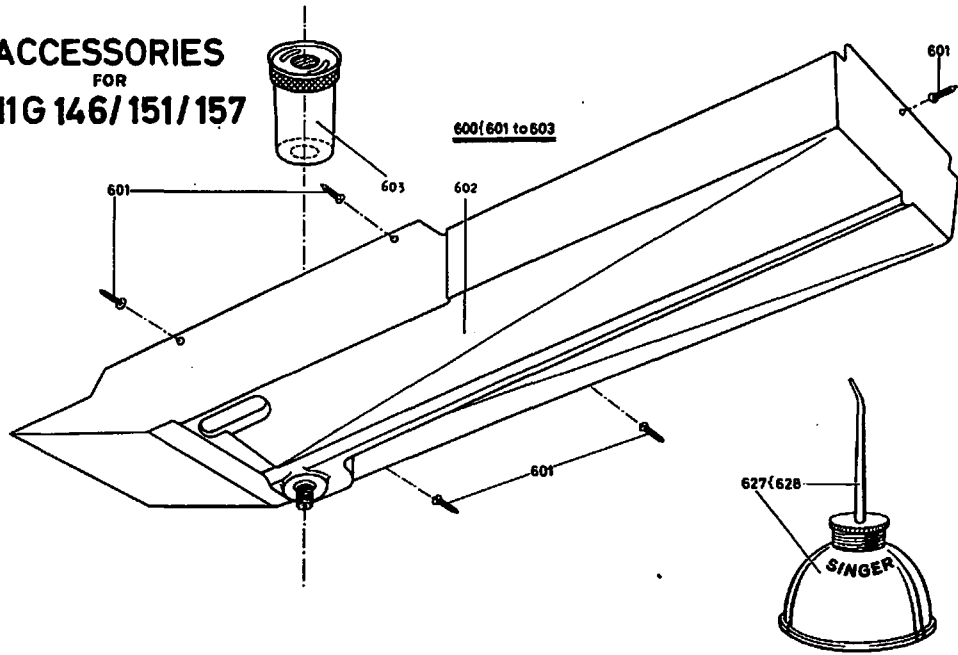


From the library of Diamond Needle Corp

- 211 G 146 without Ill. Ref. No. 8, 35 to 37, 39, 40, 89, 90, 94, 95, 98, 101, 102, 106, 107, 110, 111, 115, 116, 119, 120, 122, 145, 148 to 163, 210 to 233, 249, 323 to 326, 341, 375 to 377, 399 to 441
- 211 G 151 without Ill. Ref. No. 9, 10, 12, 13, 16 to 18, 38, 39, 41 to 43, 88, 90, 101, 102, 106, 107, 110, 111, 115, 116, 119, 120, 122, 146, 154, 155, 171 to 192, 194, 196 to 205, 207, 248, 321, 322, 341, 375 to 377, 399 to 441
- 211 G 157 without Ill. Ref. No. 9, 35 to 38, 88, 89, 97, 99, 100, 104, 105, 108, 109, 113, 114, 117, 118, 121, 146, 150 to 153, 171 to 192, 194, 196 to 205, 207, 248, 321, 322, 341, 354 to 357, 368 to 374

SINGER 211G 146, 211G 151, 211G 157
 Copyright © 1966 by THE SINGER COMPANY Form 30-290 G (Rev. 766) Printed in WESTERN GERMANY

**ACCESSORIES
FOR
211G 146/151/157**



List of P

Ill. Ref. No.	Part No.	for Class			Name	Components	Ill. Ref. No.	Part No.	for Class			Name	Components
		146	151	157					146	151	157		
1	200047 804	X	X	X	Face Plate Screw (2)		50	202330	X	X	X	Needle Bar Connecting Stud Oil Packing (wick)	
2	244751 002	X	X	X	Arm Cover (top) with 267272		51	200072 803	X	X	X	Needle Bar Connecting Stud Pinch Screw	
3	200047 819	X	X	X	Arm Cover (top) Screw (6)		52	264714	X	X	X	Needle Bar Connecting Stud with 200072, 202330	
4	267395	X	X	X	Arm Cover (top) Gasket (Vellumoid)		53	202552	X	X	X	Needle Bar Connecting Link	
5	271017	X	X	X	Thread Guide (top of Arm)		54	244726	X	X	X	Take-up Lever Guard	
6	201525 805	X	X	X	Thread Guide (top of Arm) Lock Nut		55	201341 803	X	X	X	Take-up Lever Guard Screw (3)	
7	267272	X	X	X	Oil Level Indicator		56	200341 803	X	X	X	Arm Shaft Bushing Set Screw	
8	244705	X	X	X	Face Plate		57	267466	X	X	X	Needle Bar Connecting Link Stud Oil Packing (wick)	
9	267325	X	X	X	Face Plate		58	267221	X	X	X	Needle Bar Connecting Link Stud with 267466	
10	244688	X	X	X	Thread Lubricator Oil Pad Holder Hinge Spring		59	200378 803	X	X	X	Needle Bar Crank Position Screw Check Screw	
11	263554	X	X	X	Thread Lubricator Oil Pad Holder		60	200333 803	X	X	X	Needle Bar Crank Position Screw	
12	244688	X	X	X	Thread Lubricator Oil Pad Clamping Spring		*61	267222	X	X	X	Needle Bar Crank	
13	51229 819	X	X	X	Thread Lubricator Oil Pad Holder Screw		62	200388 803	X	X	X	Needle Bar Connecting Link Stud Set Screw	
14	241765	X	X	X	Thread Lubricator Oil Pad (felt)		63	200374 830	X	X	X	Needle Bar Connecting Link Stud Set Screw	
15	244744	X	X	X	Thread Lubricator Plate		*64	267158	X	X	X	Arm Shaft	
16	200583 819	X	X	X	Thread Lubricator Oil Pad Holder Hinge Screw		65	267247	X	X	X	Arm Shaft cpl.	200333, 200374, 200378, 200388, 267158, 267221, 267222
17	244687	X	X	X	Thread Lubricator Oil Pad Holder Hinge	241765, 244687, 244744, 263554, two each 51229, 200383 and 244688	66	267224	X	X	X	Needle Bar Crank Friction Washer	
18	244689	X	X	X	Thread Lubricator Oil Pad Holder cpl.		67	244747	X	X	X	Arm Shaft Bushing	
19	244741	X	X	X	Thread Lubricator Oil Socket Plunger Release Lever		68	267236	X	X	X	Oil Reservoir Oil Wick	
20	267323	X	X	X	Thread Lubricator Oil Socket Plunger Release Lever Pin		69	204329	X	X	X	Arm Shaft Bushing Oil Pad (felt) lower	
21	201750 819	X	X	X	Thread Lubricator Oil Socket Plunger Adjusting Nut		70	267160	X	X	X	Arm Shaft Bushing Oil Pad (felt) upper	
22	244742	X	X	X	Thread Lubricator Oil Socket Plunger Spring		71	200133 805	X	X	X	Oil Vibrating Pump Bracket Screw (2)	
23	244739	X	X	X	Thread Lubricator Oil Socket Plunger Spring		72	237 804	X	X	X	Oil Vibrating Pump Weight Spring Screw (2)	
24	244740	X	X	X	Thread Lubricator Oil Socket Plunger Oil Seal (Rubber)		73	237 804	X	X	X	Oil Vibrating Pump Weight Spring	
25	244736	X	X	X	Thread Lubricator Oil Reservoir Cover Gasket		74	267398	X	X	X	Oil Vibrating Pump Weight	
26	244735	X	X	X	Thread Lubricator Oil Reservoir Cover		75	267399	X	X	X	Oil Vibrating Pump Weight Spring	
27	201402 819	X	X	X	Thread Lubricator Oil Reservoir Cover Screw (6)		76	267396	X	X	X	Oil Vibrating Pump Block	
28	1623 819	X	X	X	Thread Lubricator Oil Socket Lock Nut		77	237 804	X	X	X	Oil Vibrating Pump Block Screw (2)	
29	244748	X	X	X	Thread Lubricator Oil Adjusting Nut Retainer		78	267397	X	X	X	Oil Vibrating Pump Bracket	
30	244738	X	X	X	Thread Lubricator Oil Socket Lock Nut Washer		79	267400	X	X	X	Dynamic Head-End Lubrication Device cpl.	267396 to 267399, five 237
31	244746	X	X	X	Thread Lubricator Oil Socket Oil Seal (2)		80	200363 830	X	X	X	Arm Shaft Connection Belt Pulley Set Screw	
32	244737	X	X	X	Thread Lubricator Oil Socket		81	202253	X	X	X	Arm Shaft Connection Belt Pulley Spring Flange (2)	
33	244743	X	X	X	Thread Lubricator Oil Tube		82	350492 830	X	X	X	Arm Shaft Connection Belt Pulley Position Screw	
34	201738 819	X	X	X	Thread Lubricator Oil Tube Nut		83	267162	X	X	X	Arm Shaft Connection Belt Pulley with	200363, 350492, two 202145
35	244734	X	X	X	Thread Lubricator Oil Pad Holder cpl.	241765, 244744, 263554, and two 200143	84	267161	X	X	X	Arm Shaft Connection Belt (reinforced neoprene)	
36	200143 819	X	X	X	Thread Lubricator Oil Pad Holder Screw (2)		85	141566 830	X	X	X	Machine Pulley Position Screw	
37	200582 819	X	X	X	Thread Lubricator Plate Screw (2)		86	141567 830	X	X	X	Machine Pulley Set Screw	
38	267326	X	X	X	Face Plate and Thread Lubricator cpl.	1623, 201738, 201750, 244735 to 244743, 267323, 267325, 244748, two 244746 and six 201402	87	272142	X	X	X	Arm Shaft Ball Bearing (back)	
39	508343	X	X	X	Thread Lubricator cpl.	1623, 201738, 201750, 244689, 244735 to 244743, 244748, 267323, two 244746 and six 201402	88	267306	X	X	X	Machine Pulley cpl. with	141566, 141567, 272142.
40	244745	X	X	X	Thread Lubricator cpl.	1623, 201738, 201750, 244734 to 244743, 244748, 267323, two 244746 and six 201402	89	244722	X	X	X	Machine Pulley cpl. with	141566, 141567, 272142.
41	200582 819	X	X	X	Thread Guide and Oil Tube Bracket Screw (2)		90	267426	X	X	X	Machine Pulley cpl. with	141566, 141567, 272142.
42	244683	X	X	X	Thread Guide and Oil Tube Bracket		91	267251	X	X	X	Presser Bar Spring (flat)	
43	244685	X	X	X	Thread Lubricator Oil Tube Extension (plastic)		92	200948 806	X	X	X	Presser Bar Spring Support Screw	
44	267239	X	X	X	Take-up Lever Hinge Stud with 235706		93	350581 803	X	X	X	Presser Bar Spring Regulating Screw	
45	235706	X	X	X	Take-up Lever Hinge Stud Oil Packing (wick)		94	350563 805	X	X	X	Arm Cover (side) Screw	
46	200383 803	X	X	X	Take-up Lever Hinge Stud Set Screw		95	267152	X	X	X	Arm Cover (side)	
47	240139	X	X	X	Take-up Lever		96	308282	X	X	X	Bed Oil Tube Clamp Oiling Pelt	
48	202399	X	X	X	Take-up Lever Driving Stud with 244071		97	267254	X	X	X	Bed Oil Tube Clamp	
49	244071	X	X	X	Take-up Lever Driving Stud with 244071		98	508326 001	X	X	X	Bed Oil Tube Clamp	
50	202330	X	X	X	Needle Bar Connecting Stud Oil Packing (wick)		99	244716	X	X	X	Hook Driving Shaft Bearing (left) Oil Tube with	244717
51	200072 803	X	X	X	Needle Bar Connecting Stud Pinch Screw		100	244717	X	X	X	Hook Driving Shaft Bearing (left) Oil Tube Wick	
52	264714	X	X	X	Needle Bar Connecting Stud with 200072, 202330		101	508321	X	X	X	Hook Driving Shaft Bearing (left) Oil Tube with	508323
53	202552	X	X	X	Needle Bar Connecting Link		102	508323	X	X	X	Hook Driving Shaft Bearing (left) Oil Tube Wick	
54	244726	X	X	X	Take-up Lever Guard		103	267293	X	X	X	Feed Driving Eccentric Connection Oil Tube Support	
55	201341 803	X	X	X	Take-up Lever Guard Screw (3)		104	267261	X	X	X	Feed Driving Eccentric Connection Oil Tube Wick	
56	200341 803	X	X	X	Arm Shaft Bushing Set Screw		105	244706	X	X	X	Feed Driving Eccentric Connection Oil Tube with	267261
57	267466	X	X	X	Needle Bar Connecting Link Stud Oil Packing (wick)		106	508335	X	X	X	Feed Driving Eccentric Connection Oil Tube Wick	
58	267221	X	X	X	Needle Bar Connecting Link Stud with 267466								
59	200378 803	X	X	X	Needle Bar Crank Position Screw Check Screw								
60	200333 803	X	X	X	Needle Bar Crank Position Screw								
*61	267222	X	X	X	Needle Bar Crank								
62	200388 803	X	X	X	Needle Bar Connecting Link Stud Set Screw								
63	200374 830	X	X	X	Needle Bar Connecting Link Stud Set Screw								
*64	267158	X	X	X	Arm Shaft								
65	267247	X	X	X	Arm Shaft cpl.								
66	267224	X	X	X	Needle Bar Crank Friction Washer								
67	244747	X	X	X	Arm Shaft Bushing								
68	267236	X	X	X	Oil Reservoir Oil Wick								
69	204329	X	X	X	Arm Shaft Bushing Oil Pad (felt) lower								
70	267160	X	X	X	Arm Shaft Bushing Oil Pad (felt) upper								
71	200133 805	X	X	X	Oil Vibrating Pump Bracket Screw (2)								
72	237 804	X	X	X	Oil Vibrating Pump Weight Spring Screw (2)								
73	237 804	X	X	X	Oil Vibrating Pump Weight Spring								
74	267398	X	X	X	Oil Vibrating Pump Weight								
75	267399	X	X	X	Oil Vibrating Pump Weight Spring								
76	267396	X	X	X	Oil Vibrating Pump Block								
77	237 804	X	X	X	Oil Vibrating Pump Block Screw (2)								
78	267397	X	X	X	Oil Vibrating Pump Bracket								
79	267400	X	X	X	Dynamic Head-End Lubrication Device cpl.	267396 to 267399, five 237							
80	200363 830	X	X	X	Arm Shaft Connection Belt Pulley Set Screw								
81	202253	X	X	X	Arm Shaft Connection Belt Pulley Spring Flange (2)								
82	350492 830	X	X	X	Arm Shaft Connection Belt Pulley Position Screw								
83	267162	X	X	X	Arm Shaft Connection Belt Pulley with	200363, 350492, two 202145							
84	267161	X	X	X	Arm Shaft Connection Belt (reinforced neoprene)								
85	141566 830	X	X	X	Machine Pulley Position Screw								
86	141567 830	X	X	X	Machine Pulley Set Screw								
87	272142	X	X	X	Arm Shaft Ball Bearing (back)								
88	267306	X	X	X	Machine Pulley cpl. with	141566, 141567, 272142.							
89	244722	X	X	X	Machine Pulley cpl. with	141566, 141567, 272142.							
90	267426	X	X	X	Machine Pulley cpl. with	141566, 141567, 272142.							
91	267251	X	X	X	Presser Bar Spring (flat)								
92	200948 806	X	X	X	Presser Bar Spring Support Screw								
93	350581 803	X	X	X	Presser Bar Spring Regulating Screw								
94	350563 805	X	X	X	Arm Cover (side) Screw								
95	267152	X	X	X	Arm Cover (side)								
96	308282	X	X	X	Bed Oil Tube Clamp Oiling Pelt								
97	267254	X	X	X	Bed Oil Tube Clamp								
98	508326 001	X	X	X	Bed Oil Tube Clamp								
99	244716	X	X	X	Hook Driving Shaft Bearing (left) Oil Tube with	244717							
100	244717	X	X	X	Hook Driving Shaft Bearing (left) Oil Tube Wick								
101	508321	X	X	X	Hook Driving Shaft Bearing (left) Oil Tube with	508323							
102	508323	X	X	X	Hook Driving Shaft Bearing (left) Oil Tube Wick					</			

arts 211 G 146 / 151 / 157 Class to SINGER Form 30-290 G (Rev. 766)

Ill. Ref. No.	Part No.	for Class			Name	Components	Ill. Ref. No.	Part No.	for Class			Name	Components
		146	151	157					146	151	157		
107	508333		X		Feed Driving Eccentric Connection		169	200975 806	X	X	X	Presser Bar Lifting Releasing Lever	
108	267262	X	X		Oil Tube with	508335						Bracket Guide Screw	
109	244719	X	X		Hook Saddle Bearing (right) Oil Tube Wick	267262	170	267238	X	X	X	Presser Bar Lifting Releasing Lever	
110	508332			X	Hook Saddle Bearing (right) Oil Tube Wick		171	200086 833	X			Bracket	
111	508324			X	Hook Saddle Bearing (right) Oil Tube with	508332	171	200086 833	X			Presser Bar Spring Bracket Pinch Screw	
112	200034 803	X	X	X	Bed Oil Tube Clamp Screw		172	267313	X			Presser Bar Spring Bracket with	200086
113	267256	X	X		Feed Driving Rock Shaft Bushing (left) Oil Tube with		173	267309	X			Needle Bar Oiling Felt (lower)	
114	267262	X	X		Feed Driving Rock Shaft Bushing (left) Oil Tube Wick	267262	174	267330	X			Needle Bar Oiling Felt (lower) Retainer	
115	508317		X		Feed Driving Rock Shaft Bushing (left) Oil Tube with		175	200904 819	X			Needle Bar Oiling Felt (lower) Retainer Screw	
116	267411		X		Feed Driving Rock Shaft Bushing (left) Oil Tube Wick	267411	176	202557	X			Roller Presser Bar	
117	267257	X	X		Feed Driving Rock Shaft Bushing (right) Oil Tube with	267263	177	235088	X			Roller Presser Arm Bracket Position Collar with	200362
118	267263	X	X		Feed Driving Rock Shaft Bushing (right) Oil Tube Wick		178	200362 830	X			Roller Presser Arm Bracket Position Collar Set Screw	
119	508319		X		Feed Driving Rock Shaft Bushing (right) Oil Tube with	267262	179	200141 806	X			Roller Presser Arm Bracket Spring Stop Screw (2)	
120	267262		X		Feed Driving Rock Shaft Bushing (right) Oil Tube Wick		180	200096 804	X			Roller Presser Arm Screw	
121	267321	X	X		Bed Oil Supply Tube with	267322	180	233807	X			Roller Presser Arm Bracket	
122	508330		X		Bed Oil Supply Tube with	267322	181	202558	X			Roller Presser Arm Bracket Spring	
123	267322	X	X	X	Bed Oil Supply Tube Wick		182	202559	X			Roller Presser Arm Bracket Spring Stop	
124	267265	X	X	X	Tension Release Lever Rcd		183	203422	X			Roller Presser Arm	
125	244729	X	X	X	Thread Retainer		184	203423	X			Roller Presser Arm cpl.	201926, 203422
126	200159 806	X	X	X	Tension Bracket Screw		185	1528 819	X			Roller Presser Hinge Screw	
127	200309 805	X	X	X	Tension Release Lever Screw (2)		186	201699	X			Roller Presser Ball cone	
128	223703	X	X	X	Tension Release Lever		187	206417	X			Roller Presser Ball 1/16" in dia. (28)	
129	204925	X	X	X	Thread Controller Stud Washer		188	201926	X			Roller Presser cpl. with	1528, 201699, 350104, twenty-eight 206417
130	201199	X	X	X	Thread Controller Stud with	204925						Roller Presser Hinge Screw	
131	267368	X	X	X	Thread Controller Spring		189	350104 803	X			Roller Presser Arm Bracket Position Collar Position Screw	
132	236060	X	X	X	Tension Disc Position Pin		190	200117 806	X			Roller Presser and Bar cpl.	200096, 200117, 202557, 202558, 202559, 203423, 233807, 235088, two 200141
133	201224	X	X	X	Tension Stud		191	244682	X				
134	240023	X	X	X	Tension Bracket with	201224,	192	Cat. 1740	X			Needle, Chromium	
135	267315	X	X	X	Thread Controller Spring Stop		193	240039	X	X	X	Needle Bar Thread Guide	
136	223704	X	X	X	Tension Release Plunger		194	200175 804	X			Needle Bar Thread Guide Screw	
137	223706	X	X	X	Thread Controller Disc		195	200125 833	X	X	X	Needle Set Screw	
138	244048	X	X	X	Tension Disc (2)		196	244681	X			Needle Bar with	200125, 200175, 240039
139	204271	X	X	X	Tension Release Washer		197	235871	X			Needle Bar Bushing (lower)	
140	201572 819	X	X	X	Tension Thumb Nut and Thread Controller Stud Thumb Nut		198	200452 833	X			Needle Bar Bushing Set Screw (2)	
141	223438	X	X	X	Tension Spring		199	200051 805	X			Needle Bar Connecting Link Guide Block Screw (2)	
142	350588 819	X	X	X	Thread Controller Disc Screw		200	267307	X			Needle Bar Connecting Link Guide Block	
143	244727	X	X	X	Tension Bracket cpl.	201199, 204271, 223438, 223703, 223704, 223706, 240023, 267315, 267368, 350588, two each 200309, 201572, 244048	201	267311	X			Needle Bar Oiling Felt (upper)	
144	200337 803	X	X	X	Thread Controller Stud Set Screw		202	267312	X			Needle Bar Oiling Felt (upper) Retainer	
145	267316	X	X	X	Thread Guide		203	267317	X			Needle Bar Bushing (upper)	
146	267246	X			Thread Guide		204	235901	X			Presser Bar Position Guide with	200054
147	200582 819	X	X	X	Thread Guide Screw		205	200054 805	X			Presser Bar Position Guide Pinch Screw	
148	203013	X	X	X	Presser Foot Plate		206	268197	X	X	X	Needle Bar Connecting Link Oil Guard Lock Plate	
149	202090	X	X	X	Presser Foot Hinge Pin		207	267308	X			Needle Bar Connecting Link Oil Guard	
150	275049	X			Presser Foot Shank with	200355, 201537	208	267220	X	X	X	Needle Bar Connecting Link Oil Guard	
151	200355 819	X			Presser Foot Shank with		209	201315 806	X	X	X	Needle Bar Connecting Link Oil Guard Lock Plate Screw (2)	
152	201537 819	X			Presser Foot Plate Stop Screw		210	267232	X	X	X	Needle Bar Oiling Felt Retainer (upper)	
153	275050	X			Presser Foot Plate Stop Screw		211	267231	X	X	X	Needle Bar Oiling Felt	
154	215911		X		Lock Nut	202090, 203013, 275049	212	200176 805	X	X	X	Needle Bar Oiling Felt Retainer Screw (4)	
155	229882		X		Presser Foot (hinged) cpl.		213	267233	X	X	X	Needle Bar Oiling Felt Retainer (lower)	
156	208566	X	X		Presser Foot Shank		214	Cat. 1901	X	X		Needle (1/4 inch clearance under Presser Foot)	
157	200074 806	X	X		Presser Foot (hinged) cpl.	202090, 203013, 215911, 200074	216	240020	X	X		Needle Bar with	200125, 240039, 350779
158	210949	X	X		Presser Bar with		217	350779 804	X	X		Needle Bar Thread Guide Screw	
159	200086 833	X	X		Presser Foot Screw		218	40025	X	X		Needle Bar Rock Frame Position Pin	
160	202338	X	X		Presser Bar Spring Bracket with	200086	219	200587 804	X	X		Needle Bar Rock Frame Wear Plate Screw (4)	
161	200086 833	X	X		Presser Bar Position Guide Lever with Pinch Screw		220	267287	X	X		Needle Bar Rock Frame Wear Plate (2)	
162	202337	X	X		Presser Bar Position Guide		*221	267284	X	X		Needle Bar Rock Frame with	two 267287, four 200587
163	200352 833	X	X		Presser Bar Position Guide Set Screw		*222	267285	X	X		Needle Bar Rock Frame Rock Shaft	
164	200352 833	X	X		Presser Bar Bushing Set Screw (2)		223	267286	X	X		Needle Bar Rock Frame Rock Shaft cpl.	40025, 267284, 267285
165	207072	X	X	X	Presser Bar Bushing (lower and upper)		224	267362	X	X		Needle Bar Rock Frame Rock Shaft Bushing (2)	
166	202401	X	X	X	Take-up Lever Oiling Felt		225	200029 803	X	X		Needle Bar Rock Frame Rock Shaft Connection Pinch Screw	
167	200132 805	X	X	X	Take-up Lever Oiling Felt		226	267229	X	X		Needle Bar Rock Frame Rock Shaft Connection with	200029
168	206608	X	X	X	Presser Bar Lifting Releasing Lever Bracket Spring		227	202277	X	X		Needle Bar Rock Frame Rock Shaft	

Foot the library of: Diamond Red Corp

Ill. Ref. No.	Part No.	for Class			Name	Components	Ill. Ref. No.	Part No.	for Class			Name	Components
		146	151	157					146	151	157		
169	200975 806	X	X	X	Presser Bar Lifting Releasing Lever		228	350566 803	X	X	Needle Bar Rock Frame Rock Shaft Crank Link Hinge Screw (2) with Needle Bar Rock Frame Rock Shaft Crank Link Hinge Screw Nut (2)	202277	
170	267238	X	X	X	Presser Bar Lifting Releasing Lever Bracket		229	201517 805	X	X	Needle Bar Rock Frame Rock Shaft Crank Link Hinge Screw Nut (2)		
171	200086 833	X			Presser Bar Spring Bracket Pinch Screw	200086	230	267230	X	X	Needle Bar Rock Frame Rock Shaft Crank Link		
172	267313	X			Presser Bar Spring Bracket with Needle Bar Oiling Felt (lower)		231	244725	X	X	Needle Bar Rock Frame Rock Shaft Crank with	200029, 200398	
173	267309	X			Needle Bar Oiling Felt (lower)		232	200398 803	X	X	Needle Bar Rock Frame Rock Shaft Crank Set Screw		
174	267330	X			Needle Bar Oiling Felt (lower) Retainer		233	200029 803	X	X	Needle Bar Rock Frame Rock Shaft Crank Pinch Screw		
175	200904 819	X			Needle Bar Oiling Felt (lower) Retainer Screw		234	200580 819	X	X	Hook Driving Shaft Ball Bearing Retaining Washer Screw (3)		
176	202557	X			Roller Presser Bar		235	267063	X	X	Hook Driving Shaft Ball Bearing Retaining Washer		
177	235088	X			Roller Presser Arm Bracket Position Collar with	200362	236	240068	X	X	Knee Lifter Lifting Lever		
178	200362 830	X			Roller Presser Arm Bracket Position Collar Set Screw		237	200738 819	X	X	Knee Lifter Lifting Lever Spring Stop Screw		
179	200141 806	X			Roller Presser Arm Bracket Spring		238	350464 819	X	X	Knee Lifter Lifting Lever Hinge Screw		
180	200096 804	X			Roller Presser Arm Screw		239	267289	X	X	Knee Lifter Connection Lever Hinge Screw		
181	233807	X			Roller Presser Arm Bracket		240	200262 819	X	X	Knee Lifter Connection Lever		
182	202559	X			Roller Presser Arm Bracket Spring Stop		241	240067	X	X	Knee Lifter Connection Lever Lifting Rod		
183	203422	X			Roller Presser Arm		242	240564	X	X	Knee Lifter Connection Lever Lifting Rod Stop Collar with	200113	
184	203423	X			Roller Presser Arm cpl.	201926, 203422	243	227227	X	X	Knee Lifter Connection Lever Lifting Rod Stop Collar Set Screw		
185	1528 819	X			Roller Presser Hinge Screw Nut		244	200113 806	X	X	Knee Lifter Connection Lever Lifting Rod Stop Collar Set Screw		
186	201699	X			Roller Presser Ball Cone	1528, 201699, 350104, twenty-eight 206417	245	200653 803	X	X	Presser Bar Lifter Hinge Screw		
187	206417	X			Roller Presser Ball 1/16" in dia. (28)		246	202671	X	X	Presser Bar Lifter		
188	201926	X			Roller Presser cpl. with		247	240004	X	X	Bed Slide (front)		
189	350104 803	X			Roller Presser Hinge Screw		248	244686	X		Throat Plate		
190	200117 806	X			Roller Presser Arm Bracket Position Collar Position Screw		249	240025	X	X	Throat Plate		
191	244682	X			Roller Presser and Bar cpl.	200096, 200117, 202557, 202558, 202559, 203423, 233807, 235088, two 200141	250	223812	X	X	Bed Slide (back) Stop Spring		
192	Cat. 1740	X			Needle, Chromium		251	691 831	X	X	Throat Plate Screw (2)		
193	240039	X	X	X	Needle Bar Thread Guide		252	223811	X	X	Bed Slide (back) Stop		
194	200175 804	X	X	X	Needle Bar Thread Guide Screw		253	240003	X	X	Bed Slide (back)		
195	200125 833	X	X	X	Needle Set Screw		254	267140	X	X	Hook Saddle Pinch Sleeve (upper)		
196	244681	X			Needle Bar with	200125, 200175, 240039	255	267197	X	X	Hook Saddle Oil Gauge		
197	235871	X			Needle Bar Bushing (lower)		256	225585	X	X	Hook Saddle Screw Washer		
198	200352 833	X			Needle Bar Bushing Set Screw (2)		257	267139	X	X	Hook Saddle Pinch Sleeve (lower)		
199	200051 805	X			Needle Bar Connecting Link Guide Block Screw (2)		258	200006 805	X	X	Hook Saddle Screw		
200	267307	X			Needle Bar Connecting Link Guide Block		259	200001 805	X	X	Hook Saddle Pinch Sleeve Screw		
201	267311	X			Needle Bar Oiling Felt (upper)		260	508274	X	X	Hook Saddle Cpl.	200374, 200378, 200388, 244084, 244704, 267166, 267053, 267167, 267172, 267194, 267198, 267200, 267215, 267248, 267365, 267366, two each 200089, 200135, 267361 and eight 200061	
202	267312	X			Needle Bar Oiling Felt (upper) Retainer		261	244750	X	X	Bobbin (Aluminum)		
203	267317	X			Needle Bar Bushing (upper)		262	241674	X	X	Bobbin Case Oiling Felt		
204	235901	X			Presser Bar Position Guide with Needle Bar Position Guide Pinch Screw	200054	263	203216	X	X	Bobbin Case Washer (cloth)		
205	200054 805	X			Needle Bar Connecting Link Oil Guard Lock Plate		264	350405 803	X	X	Bobbin Case Oiling Felt Retainer Screw (2)		
206	268197	X	X	X	Needle Bar Connecting Link Oil Guard Lock Plate		265	241675	X	X	Bobbin Case Oiling Felt Retainer		
207	267308	X			Needle Bar Connecting Link Oil Guard		266	235099	X	X	Bobbin Case		
208	267220	X	X	X	Needle Bar Connecting Link Oil Guard		267	203214	X	X	Bobbin Case Tension Spring		
209	201313 806	X	X	X	Needle Bar Connecting Link Oil Guard Lock Plate Screw (2)		268	200594 805	X	X	Bobbin Case Tension Spring Screw		
210	267232	X	X	X	Needle Bar Oiling Felt Retainer (upper)		269	200984 803	X	X	Bobbin Case Tension Spring Regulating Screw		
211	267231	X	X	X	Needle Bar Oiling Felt		270	203474	X	X	Bobbin Case Latch Spring		
212	200176 805	X	X	X	Needle Bar Oiling Felt Retainer Screw (4)		271	203473	X	X	Bobbin Case Latch Plunger		
213	267233	X	X	X	Needle Bar Oiling Felt Retainer (lower)		272	203648	X	X	Bobbin Case Latch		
214	Cat. 1901	X	X	X	Needle (1/4 inch clearance under Presser Foot)		273	202056	X	X	Bobbin Case Latch Pin		
216	240020	X	X	X	Needle Bar with	200125, 240039, 350779	274	235100	X	X	Bobbin Case cpl.	200594, 200984, 202056, 203214, 203216, 203473, 203474, 203648, 235099, 241674, 241675, two 350405,	
217	350779 804	X	X	X	Needle Bar Thread Guide Screw		275	244711	X	X	Hook and Bobbin Case cpl.	235100, 267356,	
218	40025	X	X	X	Needle Bar Rock Frame Position Pin		276	267356	X	X	Hook cpl.	267355, 267358 to 267360,	
219	200587 804	X	X	X	Needle Bar Rock Frame Wear Plate Screw (4)						350574, two each 200591, 201253, 201409.		
220	267287	X	X	X	Needle Bar Rock Frame Wear Plate (2)								
*221	267284	X	X	X	Needle Bar Rock Frame with	two 267287, four 200587							
*222	267285	X	X	X	Needle Bar Rock Frame Rock Shaft								
223	267286	X	X	X	Needle Bar Rock Frame Rock Shaft cpl.	40025, 267284, 267285							
224	267362	X	X	X	Needle Bar Rock Frame Rock Shaft Bushing (2)								
225	200029 803	X	X	X	Needle Bar Rock Frame Rock Shaft Connection Pinch Screw								
226	267229	X	X	X	Needle Bar Rock Frame Rock Shaft Connection with	200029							
227	202277	X	X	X	Needle Bar Rock Frame Rock Shaft Crank Link Hinge Screw (2) with Needle Bar Rock Frame Rock Shaft Crank Link Hinge Screw Nut (2)								

From the Gray of Diameter

List of Parts

Ill. Ref. No.	Part No.	for Class			Name	Components	Ill. Ref. No.	Part No.	for Class			Name	Components
		146	151	157					146	151	157		
277	201253 806	X	X	X	Hook Gib Screw (2)		346	267033	X	X	X	Feed Driving Eccentric Connection	
278	267358	X	X	X	Hook Gib							Friction Washer	
279	350574 806	X	X	X	Hook Height Adjusting Screw		347	200582 819	X	X	X	Feed Driving Eccentric Connection	
280	201409 806	X	X	X	Hook Needle Guard Screw (2)							Friction Washer Screw (3)	
281	267359	X	X	X	Hook Needle Guard		348	263093	X	X	X	Hook Saddle Bearing (right) Oil	
282	267360	X	X	X	Hook Thread Guard							Packing Wick	
283	200591 819	X	X	X	Hook Thread Guard Screw (2)		349	350440 819	X	X	X	Bed Oil Screw	
284	140434 833	X	X	X	Hook Set Screw (2)		350	202254	X	X	X	Bed Oil Wick	
285	267355	X	X	X	Hook (Sewing) with two 140434		351	267245	X	X	X	Feed Regulating Stud	
286	267367	X	X	X	Hook Shaft Bushing		352	270026	X	X	X	Feed Regulating Stud Spring	
287	267248	X	X	X	Hook Driving Pinion Thrust Bearing		353	240245	X	X	X	Feed Regulating Stud Retaining Spring	
288	350595 850	X	X	X	Hook Driving Pinion Set Screw		354	268063	X	X	X	Feed Driving Eccentric Connection	
289	267366	X	X	X	Hook Driving Pinion with two	350595						Headle Bearing	
290	267053	X	X	X	Hook Ball Bearing		355	267031	X	X	X	Feed Driving Eccentric Connection	
291	267361	X	X	X	Hook Ball Bearing Retainer (2)		356	270653	X	X	X	Feed Driving Eccentric Connection Hinge	
292	200089 819	X	X	X	Hook Ball Bearing Retainer Screw (2)							Stud Headle Bearing	
293	267277	X	X	X	Hook Saddle Oil Strainer		357	267032	X	X	X	Feed Driving Eccentric Connection cpl.	267031, 268063, 270653
294	267198	X	X	X	Hook Saddle Oil Gauge Sleeve with	267277,							
295	267215	X	X	X	Hook Shaft with	270880, 276061	358	244712	X	X	X	Hook Driving Shaft	
296	276061	X	X	X	Hook Shaft Oil Wick Holder		359	244714	X	X	X	Hook Driving Shaft Ball Bearing	
297	270880	X	X	X	Hook Shaft Oil Wick							Collar cpl.	244713, 267190
298	267167	X	X	X	Bobbin Case Opener Crank Hinge Stud		360	244713	X	X	X	Hook Driving Shaft Ball Bearing	
299	267166	X	X	X	Bobbin Case Opener Crank		361	267190	X	X	X	Hook Driving Shaft Ball Bearing	
300	267351	X	X	X	Bobbin Case Opener							Collar with	200382, 201220
301	200110 804	X	X	X	Bobbin Case Opener Screw		362	200382 833	X	X	X	Hook Driving Shaft Ball Bearing	
302	200135 803	X	X	X	Bobbin Case Opener Crank Cap Screw							Collar Set Screw	
303	267194	X	X	X	Hook Saddle with	200185, 267367, 267370, 267371	363	201220 833	X	X	X	Hook Driving Shaft Ball Bearing	
304	267212	X	X	X	Hook Saddle Oil Reservoir Gasket		364	244730	X	X	X	Collar Position Screw	
305	267200	X	X	X	Hook Saddle Oil Reservoir							Feed Driving Rock Shaft Bushing	
306	200061 833	X	X	X	Hook Saddle Oil Reservoir Screw (8)		365	202254	X	X	X	(left and right)	
307	267370	X	X	X	Bobbin Case Opener Driving Cam		366	243744	X	X	X	Bed Oil Wick (2)	
308	350595 850	X	X	X	Shaft Bushing (lower)		367	350366 819	X	X	X	Bed Oil Stop Screw Gasket (2)	
309	267365	X	X	X	Bobbin Case Opener Driving Cam		368	267034	X	X	X	Bed Oil Stop Screw (2)	
310	267371	X	X	X	Shaft Gear (spiral) Set Screw (2)							Feed Driving Eccentric Connection	
311	244704	X	X	X	Bobbin Case Opener Driving Cam		369	200054 803	X	X	X	Hinge Stud	
312	267172	X	X	X	Shaft Gear (spiral) with two	350595						Feed Driving Eccentric Connection	
313	200185 804	X	X	X	Bobbin Case Opener Driving Cam		370	200398 803	X	X	X	Hinge Stud Pinch Screw	
314	200135 803	X	X	X	Shaft Bushing (upper)		371	200029 805	X	X	X	Feed Driving Rock Shaft Crank Set Screw	
315	200388 803	X	X	X	Bobbin Case Opener Driving Cam		372	244710	X	X	X	Feed Driving Rock Shaft Crank Pinch Screw	
316	200374 830	X	X	X	Hook Saddle Oil Stop Screw							Feed Driving Rock Shaft Crank with	200054, 200398 200029
317	350564 805	X	X	X	Bobbin Case Opener Link Cap Screw		373	200383 803	X	X	X	Feed Driving Rock Shaft Stop Collar	
318	244084	X	X	X	Bobbin Case Opener Crank Hinge Stud		374	202625	X	X	X	Set Screw (4)	
319	200378 803	X	X	X	Set Screw Check Screw		375	454 803	X	X	X	Feed Driving Rock Shaft Stop Collar (2) with two	200383
320	244720	X	X	X	Bobbin Case Opener Crank Hinge Stud							Feed Driving Rock Shaft Stop Collar	
321	244690	X	X	X	Set Screw		376	508328	X	X	X	Feed Driving Rock Shaft Stop Collar (2)	
322	248502	X	X	X	Hook Saddle Oil Regulating Screw		377	508327	X	X	X	Feed Driving Rock Shaft Stop Collar cpl. (2)	508328, two 454
323	244709	X	X	X	Hook Saddle Oil Regulating Screw		378	268064	X	X	X	Feed Driving Eccentric	
324	244708	X	X	X	Check Screw Packing (fibre)		379	350467 803	X	X	X	Feed Driving Flange Set Screw (2)	
325	200336 805	X	X	X	Hook Saddle with Heek Cpl.	200110, 244711, 267351, 508274	380	241763	X	X	X	Feed Driving Eccentric Friction Plate	
326	244707	X	X	X	Feed Driving Rock Shaft cpl.	201518, 240224, 248502, 350393	381	350477 803	X	X	X	Screw Set Screw (2)	
327	350393 803	X	X	X	Feed Driving Rock Shaft		382	267623	X	X	X	Feed Driving Eccentric Friction Plate	
328	201518 805	X	X	X	Feed Driving Rock Shaft cpl.	201518, 240224, 244707, 244708, 350393	383	350548 803	X	X	X	Feed Driving Eccentric Friction Plate	
329	240224	X	X	X	Feed Driving Rock Shaft cpl.		384	267180	X	X	X	Screw (2)	
330	350197 805	X	X	X	Feed Driving Rock Shaft							Feed Driving Flange with	267623, two each 241763, 350467, 350477, 350548
331	225837	X	X	X	Feed Driving Rock Frame Pinch Screw (2)	200036	385	268065	X	X	X	Feed Driving Eccentric Adjusting Disc	
332	240223	X	X	X	Feed Driving Rock Frame with two		386	268066	X	X	X	Feed Driving Eccentric Adjusting Disc Spring	
333	223655	X	X	X	Feed Bar Hinge Screw (driving)		387	268067	X	X	X	Feed Driving Eccentric Adjusting Disc Spring Collar with two	200382
334	200173 804	X	X	X	Feed Bar Hinge Screw Nut		388	200382 833	X	X	X	Feed Driving Eccentric Adjusting Disc Spring Collar Set Screw (2)	
335	267275	X	X	X	Feed Bar cpl.	225837, 240223, 267273, 350197	389	244763	X	X	X	Safety Clutch Over Load Pulley	
336	244715	X	X	X	Feed Lifting Eccentric Fork Screw		390	202253	X	X	X	Retaining Ring	
337	202254	X	X	X	Feed Lifting Eccentric Fork Oiling Felt		391	244760	X	X	X	Safety Clutch Belt Pulley Spring Flange	
338	201220 833	X	X	X	Feed Lifting Eccentric Fork Oiling Felt Screw	200173, 223655	392	244761	X	X	X	Safety Clutch Belt Pulley with	202253
339	267182	X	X	X	Feed Driving Shaft Bearing (left)							Safety Clutch Over Load Pulley with	two 140197, three 1258
340	200106 805	X	X	X	Bed Oil Wick		393	140197 830	X	X	X	Safety Clutch Over Load Pulley Set screw (2)	
341	211263	X	X	X	Feed Lifting Eccentric Set Screw		394	1258 830	X	X	X	Safety Clutch Over Load Pulley	
342	240259	X	X	X	Feed Lifting Eccentric with		395	244764	X	X	X	adjusting Screw (3)	
343	267188	X	X	X	Feed Dog		396	244762	X	X	X	Safety Clutch Driving Ball	
344	201220 833	X	X	X	Feed Dog		397	1266 830	X	X	X	1/32 in. Diameter (3)	
345	200382 833	X	X	X	Hook Driving Gear (spiral) with	200382, 201220						Safety Clutch Driving Ball Spring	
346	244718	X	X	X	Hook Driving Gear Position Screw							Safety Clutch Over Load Pulley	
		X	X	X	Hook Driving Gear Set Screw							adjusting Screw Lock Screw (3)	
		X	X	X	Hook Saddle Bearing (left)								

From the library of: Diamond Needle Corp

Ill. Ref. No.	Part No.	For Class			Name	Components
		146	151	157		
398	244759	X	X	X	Safety Clutch cpl.	244760, 244761, 244763, three each 1266, 244762, 244764
399	200364 803	X			Feed Reversing Mechanism Support Link Stud Set Screw	
400	267418	X			Feed Reversing Shaft Bracket with	200364
401	200029 805	X			Feed Reversing Shaft Bracket Screw (left)	
402	200019 805	X			Feed Reversing Shaft Bracket Screw (right)	
403	255168	X			Bed Oil Cup (2)	
404	232244	X			Feed Reversing Shaft Bracket Position Pin (2)	
405	201529 819	X			Feed Reversing Lever Handle Screw Nut	
406	276160	X			Feed Reversing Lever Handle	
407	267414	X			Feed Reversing Lever	
408	200274 803	X			Feed Reversing Lever Guide Roller Screw Stud	
409	201829	X			Feed Reversing Lever Guide Roller	
410	200575 819	X			Feed Reversing Lever Handle Screw	
411	691 831	X			Feed Reversing Lever Guide Roller Position Plate Screw (2)	
412	240574	X			Feed Reversing Lever Guide Roller Position Plate	
413	200247 803	X			Feed Reversing Lever Hinge Screw	
414	240227	X			Feed Driving Eccentric Connection Oiling Felt Retaining Wire	
415	267407	X			Feed Driving Eccentric Connection Oiling Felt	
416	267405	X			Feed Driving Eccentric Connection with	240227, 267407
417	267406	X			Feed Driving Eccentric Connection Link	
418	276171	X			Feed Driving Eccentric Connection Link Hinge Pin with	244071
419	244071	X			Feed Driving Eccentric Connection Link Hinge Pin Oil Packing	
420	240589	X			Feed Driving Connection Crank with	200029
421	200029 850	X			Feed Driving Connection Crank Pinch Screw	
422	201531 805	X			Feed Driving Rock Shaft Crank Hinge Screw Nut	
423	276174	X			Feed Reversing Mechanism Support Link Stud	
424	350507 803	X			Feed Driving Rock Shaft Crank Hinge Screw	
425	200386 830	X			Feed Reversing Shaft Crank Hinge Stud Set Screw	
426	276173	X			Feed Reversing Mechanism Support Link with	200386.
427	276165	X			Feed Reversing Shaft Crank Link with	200394
428	200394 803	X			Feed Driving Eccentric Connection Link Hinge Pin Set Screw	
429	276046	X			Feed Reversing Shaft Crank Hinge Stud Oil Packing	
430	508342	X			Feed Reversing Shaft Crank Hinge Stud	
431	508341	X			Feed Reversing Shaft Crank Hinge Stud cpl.	276046, 508342
432	200386 830	X			Feed Reversing Shaft Crank Hinge Stud Set Screw	
433	200040 805	X			Feed Reversing Shaft Crank Pinch Screw	
434	270830 001	X			Feed Reversing Shaft Crank with	200040, 200386
435	267417	X			Feed Reversing Shaft	
436	200047 805	X			Feed Reversing Shaft Driving Stud Pinch Screw	
437	508354	X			Feed Reversing Shaft cpl.	200047, 267417
438	508329	X			Feed Reversing Shaft Driving Stud	
439	200382 833	X			Feed Reversing Lever Spring Collar Set Screw (2)	
440	267416	X			Feed Reversing Lever Spring Collar with two	200382
441	267415	X			Feed Reversing Lever Spring	

FOR INFORMATION

200004 805	X	X	X	Arm Screw (4)
202005	X	X	X	Arm Screw Washer (4)
204235	X	X	X	Arm Position Pin (2)
228485	X	X	X	Variety Plate Drive Screw (2)
267388	X	X	X	Tension Release Lever Rod Tube
*244701	X			Arm
*244702	X	X		Bed
*267324	X			Arm
*267427	X			Arm
*508290	X			Bed
*508316	X			Arm and Bed (bolted)
*508336 003	X			Variety Plate
*508336 002	X			Variety Plate
*508336 001	X			Variety Plate

Parts marked with an asterisk (*) are furnished only

Ill. Ref. No.	Part No.	Name	Components
---------------	----------	------	------------

Accessories

500	228904	Knee Lifter Rock Lever cpl.	228318, 228364, 228365, 228751, 267374
501	350231 803	Knee Lifter Rock Lever Knee Plate Set Screw	
502	228364	Knee Lifter Rock Lever Knee Plate with	350231
503	228318	Knee Lifter Rock Lever Knee Plate Arm	
504	228363	Knee Lifter Rock Lever Hinge Pin	
505	228752	Knee Lifter Rock Lever with two	350231
506	350231 803	Knee Lifter Rock Lever Extension Set Screw and	
507	228455	Knee Lifter Rock Lever Knee Plate Arm Set Screw	
508	228386	Knee Lifter Rock Lever Position Spring	
509	228367	Knee Lifter Rock Lever Spring	
510	200347 833	Knee Lifter Rock Lever Stop Stud	
511	-	Wood Screw 7/8 in. No. 12 (3)	
512	228707	Knee Lifter Rock Lever Bracket with	200347
513	228751	and three wood screws Knee Lifter Rock Lever Bracket cpl.	228707, 228363, 228367, 228386, 228455, 228752
514	228365	Knee Lifter Rock Lever Rod	
515	267374	Knee Lifter Rock Lever Extension with	200530
516	200530 803	Knee Lifter Rock Lever Rod Set Screw	
517	200270 819	Knee Lifter Connection Lever Lifting Rod Roller Hinge Screw	
518	224411	Knee Lifter Connection Lever Lifting Rod Roller	
519	224412	Knee Lifter Connection Lever Lifting Rod Roller Bracket with	200113
520	200113 806	Knee Lifter Connection Lever Lifting Rod Roller Bracket Set Screw	
521	224413	Knee Lifter Connection Lever Lifting Rod Roller Bracket cpl.	200270, 224411, 224412
600	228886	Drip Pan (plastic) cpl.	228883, 228885 and five 350708
601	350708	Drip Pan (plastic) Screw Nail (5)	
602	228885	Drip Pan	
603	228883	Drip Pan Drain Jar	
623	200157 819	Attachment Screw	
624	12361	Machine Hinge Connection (2)	
625	244750	Bobbin for Class 211 G 151, 157, 146	
626	225554	Wrench, Steel	
627	120342	Oiler (copper plated) with	120343
628	120343	Oiler Spout (3 - 1/2 in. long)	
629	41400	Machine Rest Pin (wood)	
630	225498	Screw Driver (7 - 1/4 in. long)	
631	228476	Screw Driver (bobbin Case)	
632	267242	Wrench (3/32 in. Hex.)	
633	4822	Roller Presser Hinge Screw Nut	
		Wrench, Steel for Class 211 G 146	
Cat. 1740		Needle (Chrome Plated) for 211 G 146	
Cat. 1901		Needle (Chrome Plated) for 211G151/157 (1/4 inch clearance under Presser Foot)	

From the library of: Diamond Needle Corp

Ill. Ref. No.	Part No.	Name	Components	Ill. Ref. No.	Part No.	Name	Components
500	228904	Knee Lifter Rock Lever opl.	228910, 228964, 228965, 228951, 267374				
501	350231 803	Knee Lifter Rock Lever Knee Plate Set Screw	350231	660	259462	Universal Bobbin Winder Cpl.	200056, 200082, 200113, 200299, 202478, 225381, 225444, 225453 to 225456, 225458, 225462, 228026, 259428, 259429, 259662, 259930, two each 225459 and Wood Screw
502	228364	Knee Lifter Rock Lever Knee Plate with					13710, 201572, 225461 and two 2102
503	228316	Knee Lifter Rock Lever Knee Plate Arm					
504	228363	Knee Lifter Rock Lever Hinge Pin					
505	228752	Knee Lifter Rock Lever with two	350231				
506	350231 803	Knee Lifter Rock Lever Extension Set Screw and Knee Lifter Rock Lever Knee Plate Arm Set Screw					
507	228455	Knee Lifter Rock Lever Position Spring					
508	228396	Knee Lifter Rock Lever Spring					
509	228367	Knee Lifter Rock Lever Stop Stud		661	225462	Bobbin Winder Tension Bracket Cpl.	
510	200347 833	Knee Lifter Rock Lever Stop Stud Set Screw		662	201572 819	Bobbin Winder Tension Stud Thumb Nut	
511	-	Wood Screw 7/8 in. No. 12 (3)		663	13710	Bobbin Winder Tension Spring	
512	228707	Knee Lifter Rock Lever Bracket with and three wood screws	200347	664	2102	Bobbin Winder Tension Disc (2)	
513	228751	Knee Lifter Rock Lever Bracket opl.	228707, 228363, 228367, 228386, 228455, 228752	665	201499 819	Bobbin Winder Tension Stud	with 201499
514	228365	Knee Lifter Rock Lever Rod		666	225461	Bobbin Winder Tension Bracket	
515	267374	Knee Lifter Rock Lever Extension with	200530	667	200082 804	Bobbin Winder Tension Bracket Screw	
516	200530 803	Knee Lifter Rock Lever Rod Set Screw		668	228026	Bobbin Winder Tension Bracket Screw Washer	
517	200270 819	Knee Lifter Connection Lever Lifting Rod Roller Hinge Screw		669	259662	Bobbin Winder and Tension Bracket Base	
518	224411	Knee Lifter Connection Lever Lifting Rod Roller		670	---	Bobbin Winder Wood Screw (3/4 in. No. 12 HEB) (2)	
519	224412	Knee Lifter Connection Lever Lifting Rod Roller Bracket with	200113	671	225456	Bobbin Winder Frame Spring Plunger	
520	200113 806	Knee Lifter Connection Lever Lifting Rod Roller Bracket Set Screw		672	225455	Bobbin Winder Frame Spring	with 457
521	224413	Knee Lifter Connection Lever Lifting Rod Roller Bracket opl.	200270, 224411, 224412	673	259930	Bobbin Winder Pulley	
				674	457 830	Bobbin Winder Pulley Set Screw	
				675	244071	Bobbin Winder Frame Oil Packing (wick)	
				676	259660	Bobbin Winder Frame Oil Well Washer	with 244071 and 259660
				677	225453	Bobbin Winder Frame	
				678	225381	Bobbin Winder Spindle	
				679	225454	Bobbin Winder Frame Hinge Pin	
				680	200299 819	Bobbin Winder Stop Latch Trip Lever Hinge Screw	
				681	202478	Bobbin Winder Stop Latch Trip Lever	
				682	200056 805	Bobbin Winder Stop Latch Screw	
				683	225444	Bobbin Winder Stop Latch	
				684	225458	Bobbin Winder Stop Latch Thumb Lever	
600	228886	Drip Pan (plastic) opl.	228883, 228885 and five 350708	686	200113 806	Bobbin Winder Brake Clamp Screw	
601	350708	Drip Pan (plastic) Screw Nail (5)		687	259429	Bobbin Winder Brake Clamp	
602	228885	Drip Pan		688	259428	Bobbin Winder Brake (leather)	
603	228883	Drip Pan Drain Jar		689	225459	Bobbin Winder Stop Latch Thumb Lever Hinge Stud (2)	
623	200157 819	Attachment Screw		740	228776	Thread Unwinder Complete (for two Spools)	228766 to 228768, 228770, 228774, two each 150203, 228764, 228769 and three Wood Screws
624	12361	Machine Hinge Connection (2)		741	228770	Thread Unwinder Thread Guide Holder	
625	244750	Bobbin for Class 211 G 151, 157, 146		742	228769	Thread Unwinder Thread Guide (2)	
626	225554	Wrench, Steel		743	228774	Thread Unwinder Thread Guide Rod	
627	120342	Oiler (copper plated) with	120343	744	228766	Thread Unwinder Spool Rest with 201254	
628	120343	Oiler Spout (3 - 1/2 in. long)		745	201254-803	Thread Unwinder Spool Rest Set Screw	
629	41400	Machine Rest Pin (wood)		746	228764	Thread Unwinder Spool Pin (2)	
630	225498	Screw Driver (7 - 1/4 in. long)		747	150203	Thread Unwinder Spool Rest Cushion (felt)(2)	
631	228476	Screw Driver (bobbin Case)		748	228767	Thread Unwinder Spool Rest Rod	
632	267242	Wrench (3/32 in. Hex.)		749	---	Thread Unwinder Wood Screw (7/8 in. No. 12)(3)	
633	4822	Roller Presser Hinge Screw Nut Wrench, Steel for Class 211 G 146		750	228768	Thread Unwinder Spool Stand	

From the library of: Diamond Needle Corp

Cat. 1740 Needle (Chrome Plated) for 211 G 146
 Cat. 1901 Needle (Chrome Plated) for 211G151/157 (1/4 inch clearance under Presser Foot)